

Fronius **KASAMAS** *Speedglas* parweld **SOLTER** *Kjellberg*

Ádám és Ádám Kft

**HEGESZTÉSTECHNIKA
FÉMSZÓRÁSTECHNIKA**

Székhely: 4400 Nyíregyháza, Ószőlő út 99. Telephely: 4400 Nyíregyháza, Rákóczi út 102.
Tel.: +36 42 504-093, +36 42 504-094, +36 20 9449-003, +36 20 9555-417 Fax.: +36 42 504-095
E-mail: info@adam-adam.hu Weblap: www.adam-adam.hu Webshop: shop.adam-adam.hu

TTG 1600P

TTG 1600P F

- (D) Ersatzteilliste
WIG-Handschweißbrenner
- (GB) Spare Parts List
TIG Manual welding torch
- (F) Liste de pièces de rechange
chalumeau manuelle TIG
- (I) Lista parti di ricambio
cannello di saldatura WIG
- (E) Lista de repuestos
Soplete para soldadura manual
TIG
- (P) Lista de peças sobresselentes
Queimador de soldadura MIG

www.fronius-hegesztogep.com

Ádám és Ádám Kft

4400 Nyíregyháza, Rákóczi út 102

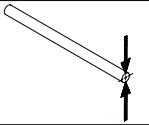
Tel.: +36 42 504 093 +36 20 9449 003

4,035,683,630 TTG1600P F / 4m / 13,1ft
 4,035,684,630 TTG1600P F / 8m / 26,2ft

 4,035,689,630 TTG1600P F / UD / 4m / 13,1ft
 4,035,690,630 TTG1600P F / UD / 8m / 26,2ft

 4,035,705,630 TTG1600P F / JM / Le / 4m / 13,1ft
 4,035,706,630 TTG1600P F / JM / Le / 8m / 26,2ft

 4,035,685,630 TTG1600P F/F / UD / 4m / 13,1ft
 4,035,686,630 TTG1600P F/F / UD / 8m / 26,2ft

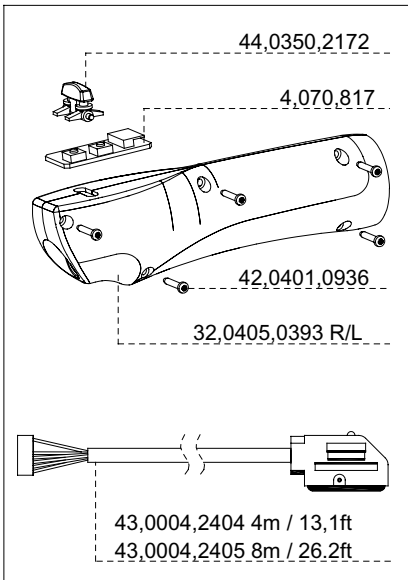
| | | |
|--|---------|-------------|
|  | Ø mm | Ø inch |
| | 1,0-3,2 | 0,039-0,126 |



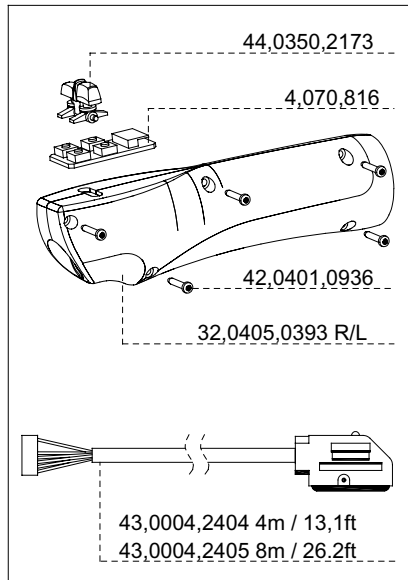
TTG1600P F/UD/JM/Le, TTG1600P F/F/UD

Ersatzteilliste / Spare parts list / Listes de pièces de rechange / Lista de repuestos / Lista de peças sobresselentes / Lista dei Ricambi

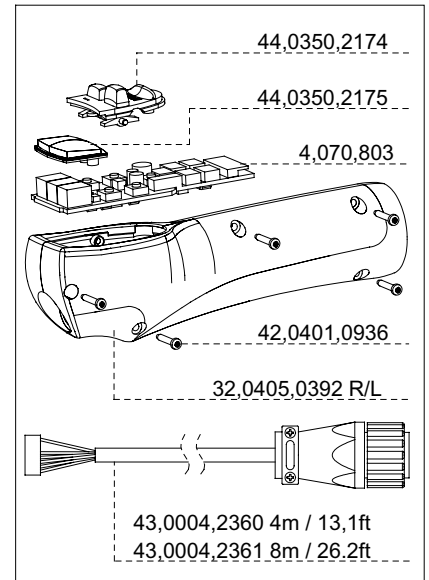
STANDARD



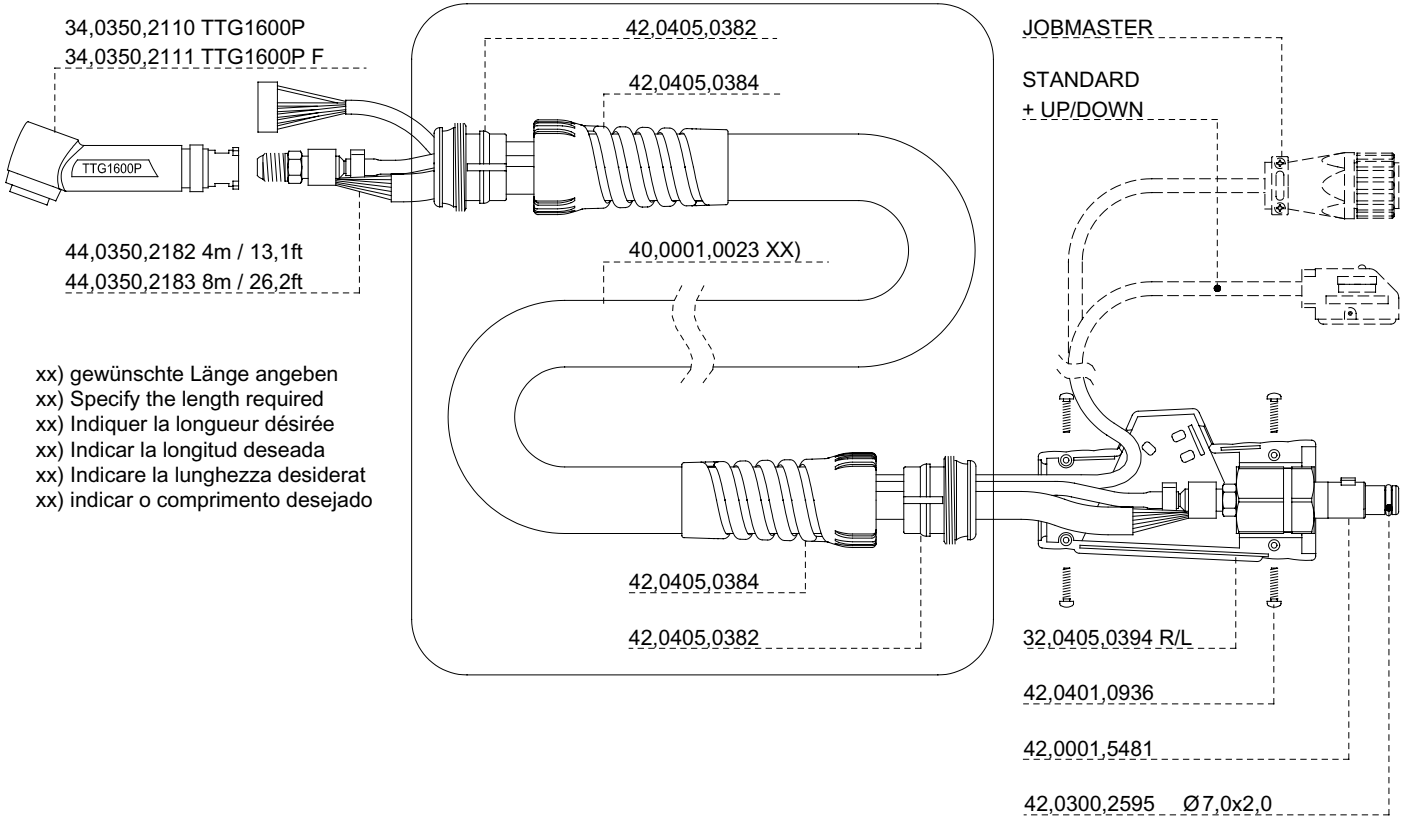
UP/DOWN



JOBMASTER



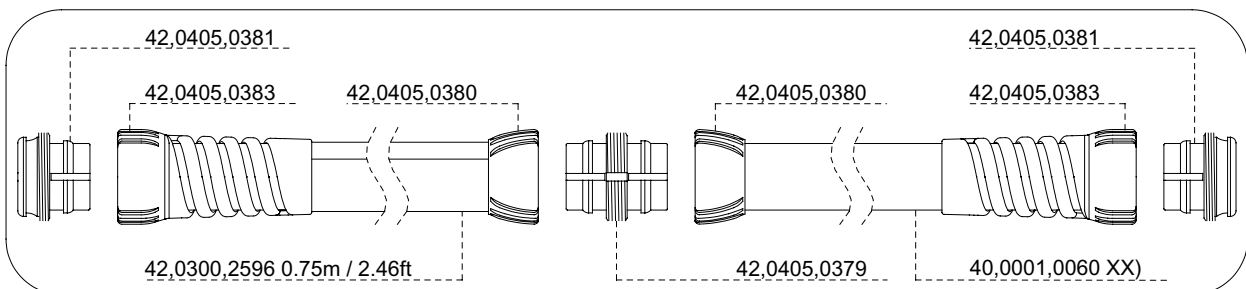
44,0350,2178 4m / 13,1ft / 44,0350,2179 8m / 26,2ft



xx) gewünschte Länge angeben
xx) Specify the length required
xx) Indiquer la longueur désirée
xx) Indicar la longitud deseada
xx) Indicare la lunghezza desiderat
xx) indicar o comprimento desejado

OPTION - Leder / Leather / Cuir

44,0350,2180 4m / 13,1ft / 44,0350,2181 8m / 26,2ft



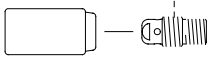
TTG1600PF/UD/JM/Le, TTG1600PF/UD

Ersatzteilliste / Spare parts list / Listes de pièces de rechange / Lista de repuestos / Lista de peças sobresselentes / Lista dei Ricambi

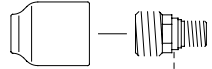
STANDARD

| Part No. collet body | Part No. head shield | Part No. collet | Part No. electrode WC20 | Part No. electrode WP | Electrode Ø | |
|-------------------------|-------------------------|--------------------|-------------------------------|-----------------------------|-------------|--------|
| | | | | | Ø mm | Ø inch |
| 42,0001,2827 | 42,0100,0391 X) | 42,0001,3000 | 42,0411,4012 | | 1,0 | 0,039 |
| 42,0001,0260 | | 42,0001,2571 | 42,0411,4001 | 42,0411,4008 | 1,6 | 0,063 |
| 42,0001,0261 X) | | 42,0001,2572 X) | 42,0411,4002 X) | 42,0411,4005 | 2,4 | 0,094 |
| 42,0001,0262 | | 42,0001,2573 | 42,0411,4003 | 42,0411,4006 | 3,2 | 0,126 |

Tab. gas nozzle
3/8"-24UNF
L=29.4mm



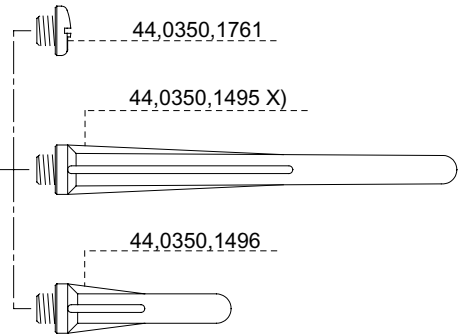
Tab. gas nozzle
9/16"-18UNF
L=25.4mm



- x) Standardausrüstung
- x) standard equipment
- x) équipement standard
- x) equipamiento estándar
- x) accessori standard
- x) equipamento de série

**TORCH BODY
TTG1600P / TTW3000P
PL 16 / PW 32**

175 mm / 6,890 inch



STANDARD

| gas nozzle ceramic screwable 3/8"-24UNF L=29.4mm/1,156inch | d1 | | d2 | | Part No. |
|---|------|--------|------|--------|-----------------|
| | mm | inch | mm | inch | |
| | 6,4 | 0,250 | 14,3 | 0,5625 | 42,0300,0105 |
| | 7,9 | 0,3125 | 14,3 | 0,5625 | 42,0300,0106 |
| | 9,5 | 0,375 | 14,3 | 0,5625 | 42,0300,0107 X) |
| | 11,1 | 0,4375 | 17,5 | 0,6875 | 42,0300,0108 |
| | 12,7 | 0,500 | 17,5 | 0,6875 | 42,0300,0109 |
| | 15,9 | 0,625 | 20,6 | 0,8125 | 42,0300,0110 |

GAS LENS STANDARD

| Electrode Ø | | Part No. gas lens |
|-------------|--------|----------------------|
| Ø mm | Ø inch | |
| 1,0 | 0,039 | 42,0001,1343 |
| 1,6 | 0,063 | 42,0001,1344 |
| 2,4 | 0,094 | 42,0001,1345 |
| 3,2 | 0,126 | 42,0001,1346 |

GAS LENS STANDARD

| gas nozzle ceramic screwable 9/16"-18UNF L=25.4mm / 1.0inch | d3 | | d4 | | Part No. |
|--|------|--------|------|--------|--------------|
| | mm | inch | mm | inch | |
| | 6,4 | 0,250 | 20,6 | 0,8125 | 42,0300,0982 |
| | 7,9 | 0,3125 | 20,6 | 0,8125 | 42,0300,0983 |
| | 9,5 | 0,375 | 20,6 | 0,8125 | 42,0300,0984 |
| | 11,1 | 0,4375 | 20,6 | 0,8125 | 42,0300,2007 |
| | 12,7 | 0,500 | 19 | 0,75 | 42,0300,2008 |

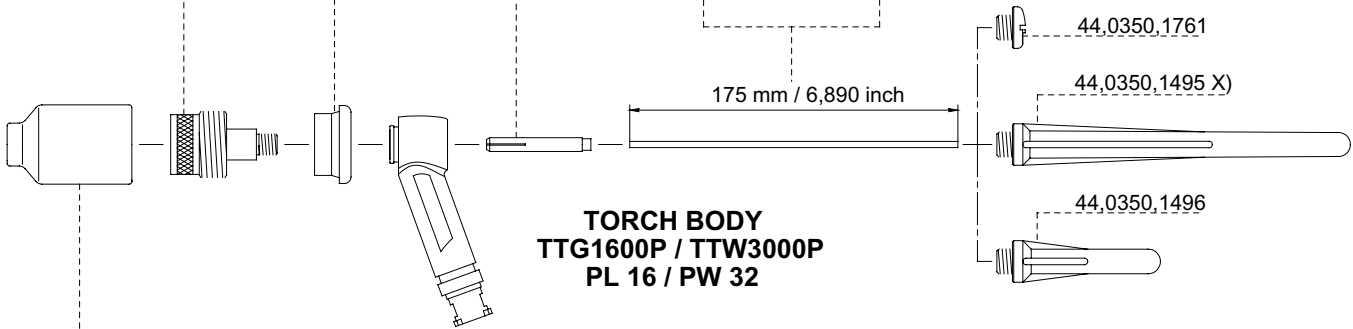


TTG1600PF/UD/JM/Le, TTG1600PF/UD

Ersatzteilliste / Spare parts list / Listes de pièces de rechange / Lista de repuestos / Lista de peças sobresselentes / Lista dei Ricambi

GAS LENS LARGE

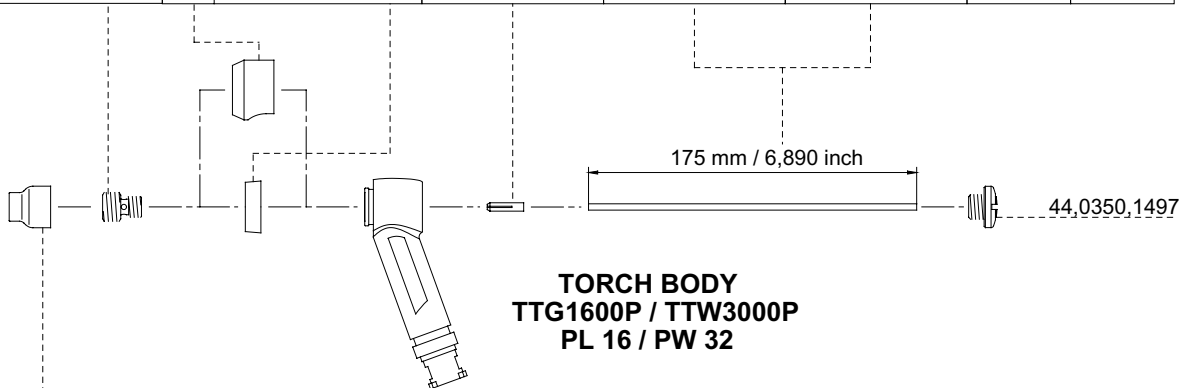
| Part No. gas lens | Part No. head shield | Part No. collet | Part No. electrode WC20 | Part No. electrode WP | Electrode Ø | |
|----------------------|-------------------------|--------------------|-------------------------------|-----------------------------|-------------|--------|
| | | | | | Ø mm | Ø inch |
| 42,0001,3010 | 42,0100,0407 | 42,0001,2826 | 42,0411,4012 | | 1,0 | 0,039 |
| 42,0001,3011 | | 42,0001,3001 | 42,0411,4001 | 42,0411,4008 | 1,6 | 0,063 |
| 42,0001,3012 | | 42,0001,3008 | 42,0411,4002 | 42,0411,4005 | 2,4 | 0,094 |
| 42,0001,3013 | | 42,0001,3009 | 42,0411,4003 | 42,0411,4006 | 3,2 | 0,126 |



| gas nozzle ceramic screwable 1"-16G L=47,6mm/1,875inch | d5 | | d6 | | Part No. |
|---|------|-------|------|--------|--------------|
| | mm | inch | mm | inch | |
| | 9,5 | 0,375 | 30,2 | 1,1875 | 42,0300,2247 |
| | 12,7 | 0,500 | 30,2 | 1,1875 | 42,0300,2248 |
| | 15,9 | 0,625 | 30,2 | 1,1875 | 42,0300,2249 |
| | 19,0 | 0,75 | 30,2 | 1,1875 | 42,0300,2250 |

GAS LENS SMALL

| Part No. gas lens | Part No. head shield | Part No. collet | Part No. electrode WC20 | Part No. electrode WP | Electrode Ø | |
|----------------------|-------------------------|--------------------|-------------------------------|-----------------------------|-------------|--------|
| | | | | | Ø mm | Ø inch |
| 44,0350,1489 | 42,0100,0388 long | 42,0001,3002 | 42,0411,4012 | | 1,0 | 0,039 |
| 44,0350,1490 | | 42,0001,3003 | 42,0411,4001 | 42,0411,4008 | 1,6 | 0,063 |
| 44,0350,1491 | 42,0100,0387 X) | 42,0001,3004 | 42,0411,4002 | 42,0411,4005 | 2,4 | 0,094 |



| gas nozzle ceramic screwable 7/16"-20 UNF L=15,9mm/0,625inch | d7 | | d8 | | Part No. |
|---|-----|--------|------|-------|--------------|
| | mm | inch | mm | inch | |
| | 6,4 | 0,250 | 15,9 | 0,625 | 42,0300,2244 |
| | 7,9 | 0,3125 | 15,9 | 0,625 | 42,0300,2245 |
| | 9,5 | 0,375 | 15,9 | 0,625 | 42,0300,2246 |

- x) Standardausrüstung
- x) standard equipment
- x) équipement standard
- x) equipamiento estándar
- x) accessori standard
- x) equipamento de série



TTG1600PF/UD/JM/Le, TTG1600PF/UD

Ersatzteilliste / Spare parts list / Listes de pièces de rechange / Lista de repuestos / Lista de peças sobresselentes / Lista dei Ricambi

www.fronius-hegesztogep.com

Ádám és Ádám Kft

4400 Nyíregyháza, Rákóczi út 102

Tel.: +36 42 504 093 +36 20 9449 003

FRONIUS INTERNATIONAL GMBH
Froniusplatz 1, A-4600 Wels, Austria
Tel: +43 (0)7242 241-0, Fax: +43 (0)7242 241-3940