

Fronius **KASAMAS** *Speedglas* parweld **SOLTER** *Kjellberg*

Ádám és Ádám Kft

**HEGESZTÉSTECHNIKA
FÉMSZÓRÁSTECHNIKA**

Székhely: 4400 Nyíregyháza, Ószőlő út 99. Telephely: 4400 Nyíregyháza, Rákóczi út 102.
Tel.: +36 42 504-093, +36 42 504-094, +36 20 9449-003, +36 20 9555-417 Fax.: +36 42 504-095
E-mail: info@adam-adam.hu Weblap: www.adam-adam.hu Webshop: shop.adam-adam.hu

**TTG 1600A
TTG 1600A F**

| | |
|-------|---|
| DE | Ersatzteilliste WIG-Handsweißbrenner |
| EN | Spare Parts List TIG Manual welding torch |
| FR | Liste de pièces de rechange chalumeau manuelle TIG |
| IT | Lista parti di ricambio cannello di saldatura WIG |
| ES | Lista de repuestos Soplete para soldadura manual TIG |
| PT-BR | Lista de peças sobresselentes Queimador de soldadura MIG |

www.fronius-hegesztogep.com

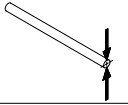
Ádám és Ádám Kft
4400 Nyíregyháza, Rákóczi út 102
Tel.: +36 42 504 093 +36 20 9449 003

4,035,683 **TTG1600A F / 4m / 13,1ft**
4,035,684 **TTG1600A F / 8m / 26,2ft**

4,035,689 **TTG1600A F / UD / 4m / 13,1ft**
4,035,690 **TTG1600A F / UD / 8m / 26,2ft**

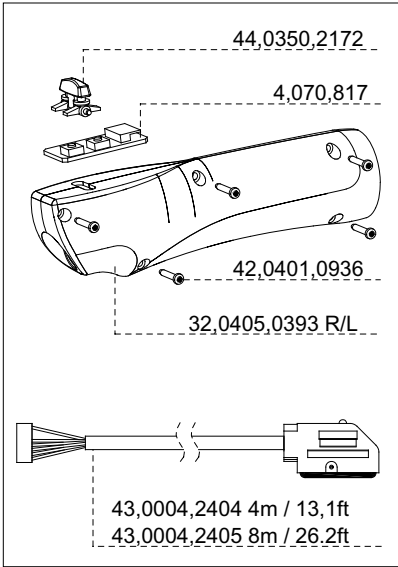
4,035,705 **TTG1600A F / JM / Le / 4m / 13,1ft**
4,035,706 **TTG1600A F / JM / Le / 8m / 26,2ft**

4,035,685 **TTG1600A F/F / UD / 4m / 13,1ft**
4,035,686 **TTG1600A F/F / UD / 8m / 26,2ft**

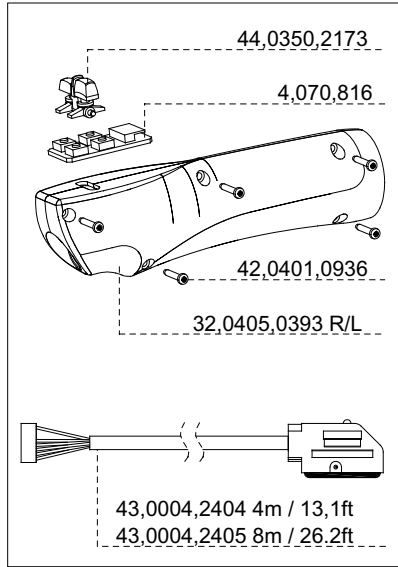
| | | |
|--|---------|-------------|
|  | Ø mm | Ø inch |
| | 1,0-3,2 | 0,039-0,126 |



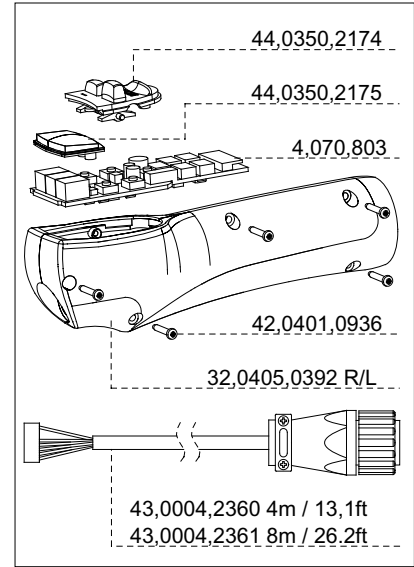
STANDARD



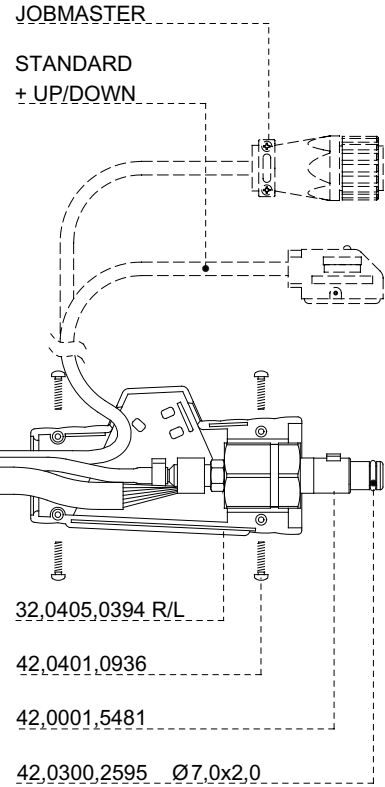
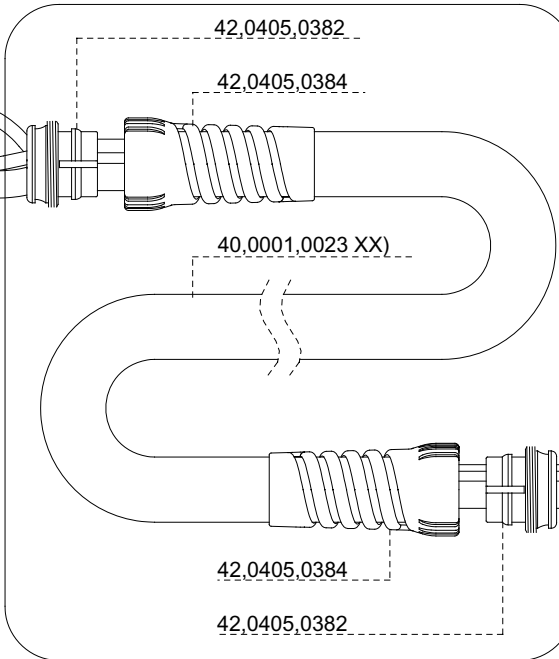
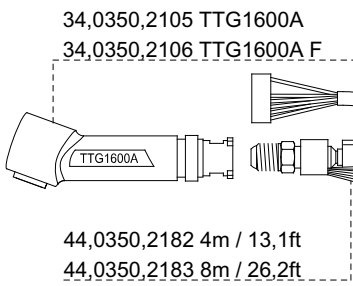
UP/DOWN



JOBMASTER



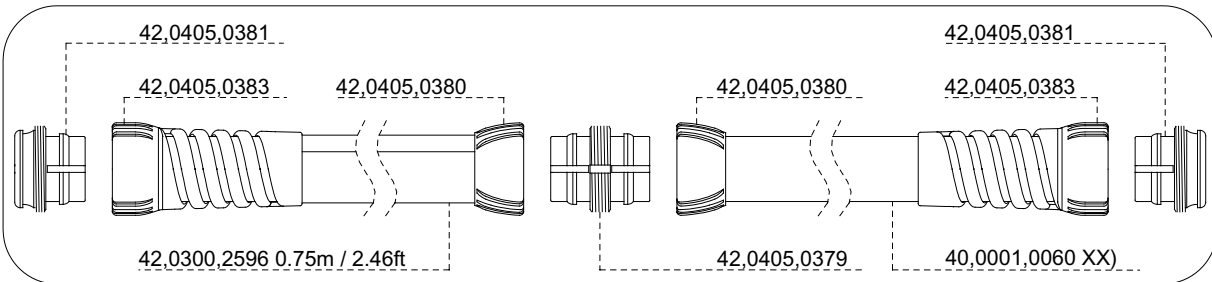
44,0350,2178 4m / 13,1ft / 44,0350,2179 8m / 26,2ft



xx) gewünschte Länge angeben
 xx) Specify the length required
 xx) Indiquer la longueur désirée
 xx) Indicar la longitud deseada
 xx) Indicare la lunghezza desiderat
 xx) indicar o comprimento desejado

OPTION - Leder / Leather / Cuir

44,0350,2180 4m / 13,1ft / 44,0350,2181 8m / 26,2ft

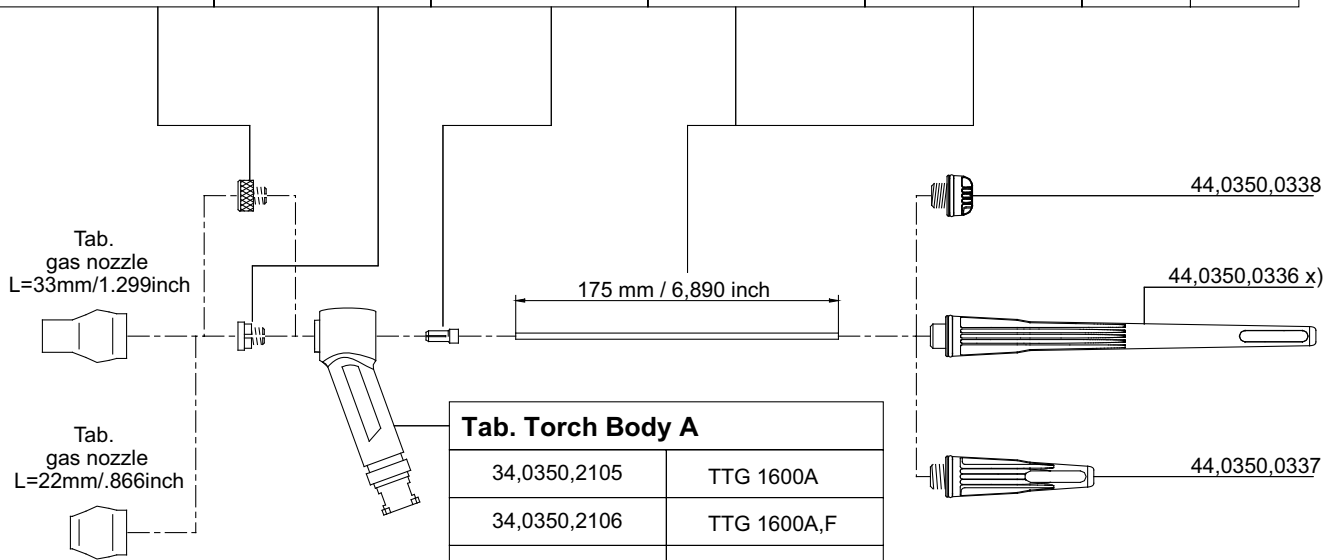


TTG 1600AF/UD/JM/Le, TTG 1600AFF/UD

Ersatzteilliste / Spare parts list / Listes de pièces de rechange / Lista de repuestos / Lista de peças sobresselentes / Lista dei Ricambi

A-System

| Part No. gas lens | Part No. clamping nut | Part No. collet | Part No. electrode WC20 | Part No. electrode WP | Electrode Ø | |
|----------------------|-----------------------------|--------------------|-------------------------------|-----------------------------|-------------|--------|
| | | | | | Ø mm | Ø inch |
| 44,0350,1500 | 42,0001,0692 | 42,0001,1148 | 42,0411,4012 | | 1,0 | .039 |
| 44,0350,1501 | 42,0001,0693 | 42,0001,1149 | 42,0411,4001 | 42,0411,4008 | 1,6 | .063 |
| 44,0350,1460 | 42,0001,0694 x) | 42,0001,1150 x) | 42,0411,4002 x) | 42,0411,4005 | 2,4 | .094 |
| 44,0350,1461 | 42,0001,0695 | 42,0001,1151 | 42,0411,4003 | 42,0411,4006 | 3,2 | .126 |



| Tab. Torch Body A | |
|-------------------|-------------|
| 34,0350,2105 | TTG 1600A |
| 34,0350,2106 | TTG 1600A,F |
| 44,0350,2546 | TTW 2500A |
| 44,0350,2547 | TTW 2500A,F |
| 34,0350,2114 | TTW 3000A |
| 34,0350,2115 | TTW 3000A,F |
| 44,0350,2893 | TTG 1200A |
| 44,0350,2911 | TTG 1200A,F |

- x) Standardausrüstung
- x) standard equipment
- x) équipement standard
- x) equipamiento estándar
- x) accessori standard
- x) equipamento de série

| gas nozzle ceramic plugable L=33mm/1.299inch | Part No. | gas nozzle ceramic plugable L=22mm/.866inch | Part No. | d1 | | d2 | |
|--|-----------------|---|--------------|------|------|------|------|
| | | | | mm | inch | mm | inch |
| | 42,0300,0820 | | 42,0300,0816 | 6,35 | .250 | 20,8 | .819 |
| | 42,0300,0821 | | 42,0300,0817 | 8,0 | .315 | 20,8 | .819 |
| | 42,0300,0822 x) | | 42,0300,0818 | 9,5 | .374 | 20,8 | .819 |
| | 42,0300,0823 | | 42,0300,0819 | 11,1 | .437 | 20,8 | .819 |



Wearing parts TTG 1600 / 1200 TTW 2500 / 3000 A F

Ersatzteilliste / Spare parts list / Listes de pièces de rechange / Lista de repuestos / Lista de peças sobresselentes / Lista dei Ricambi

1/1

www.fronius-hegesztogep.com

Ádám és Ádám Kft

4400 Nyíregyháza, Rákóczi út 102

Tel.: +36 42 504 093 +36 20 9449 003



FRONIUS INTERNATIONAL GMBH

Froniusplatz 1, A-4600 Wels, Austria