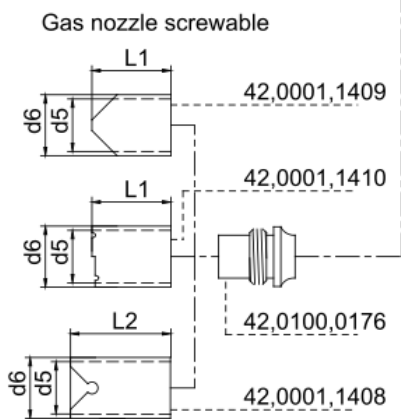
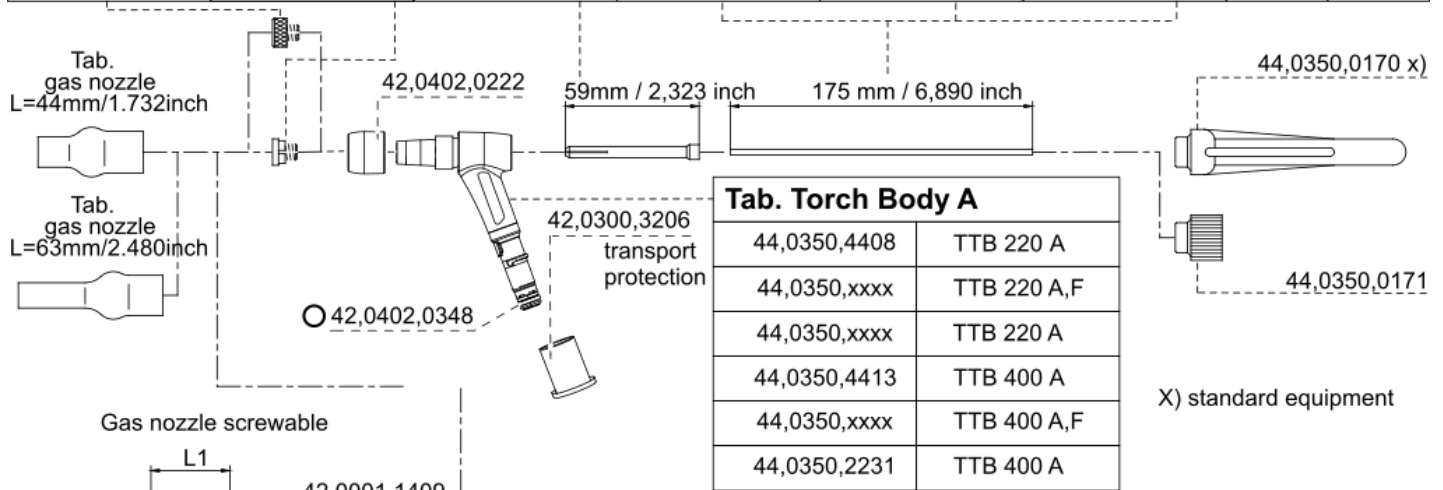


**TTB 400A W ML /70°/L65**

**44,0350,4413**

# TTB 400A W ML/70°/L65 (44,0350,4413)

Part No. gas lens	Part No. clamping nut	Part No. collet	Part No. electrode WC20	Part No. electrode WP	Part No. electrode WP	Electrode Ø	
						Ø mm	Ø inch
44,0350,1500	42,0001,0692	42,0001,0697	42,0411,4012			1,0	.039
44,0350,1501	42,0001,0693	42,0001,0698	42,0411,4001	42,0411,4008	42,0411,4008	1,6	.063
44,0350,1460	42,0001,0694 x)	42,0001,0699 x)	42,0411,4002 x)	42,0411,4005	42,0411,4005	2,4	.094
44,0350,1461	42,0001,0695	42,0001,0700	42,0411,4003	42,0411,4006	42,0411,4006	3,2	.126
	42,0001,0696	42,0001,0701	42,0411,4013	42,0411,4007	42,0411,4007	4,0	.157
			42,0411,4014	42,0411,4009	42,0411,4009	4,8	.189



gas nozzle ceramic plugable L=44mm/1.732inch	d1		d2		Part No.
	mm	inch	mm	inch	
	6,35	.250	20,8	.819	42,0300,0672
	8,0	.315	20,8	.819	42,0300,0461
	9,5	.374	20,8	.819	42,0300,0462 x)
	11,1	.437	20,8	.819	42,0300,0463
	12,7	.500	20,8	.819	42,0300,0464
	14,3	.563	20,8	.819	42,0300,0465
	16,0	.630	20,8	.819	42,0300,0466
	18,0	.709	22,8	.898	42,0300,0467

gas nozzle ceramic plugable L=63mm/2.480inch	d3		d4		Part No.
	mm	inch	mm	inch	
	6,35	.250	20,8	.819	42,0300,1120
	8,0	.315	20,8	.819	42,0300,1121
	9,5	.374	20,8	.819	42,0300,1122
	11,1	.437	20,8	.819	42,0300,1123

Measurement gas nozzle screwable							
d5		d6		L1		L2	
mm	inch	mm	inch	mm	inch	mm	inch
22	.866	25,5	1,004	33	1,299	42	1,654