

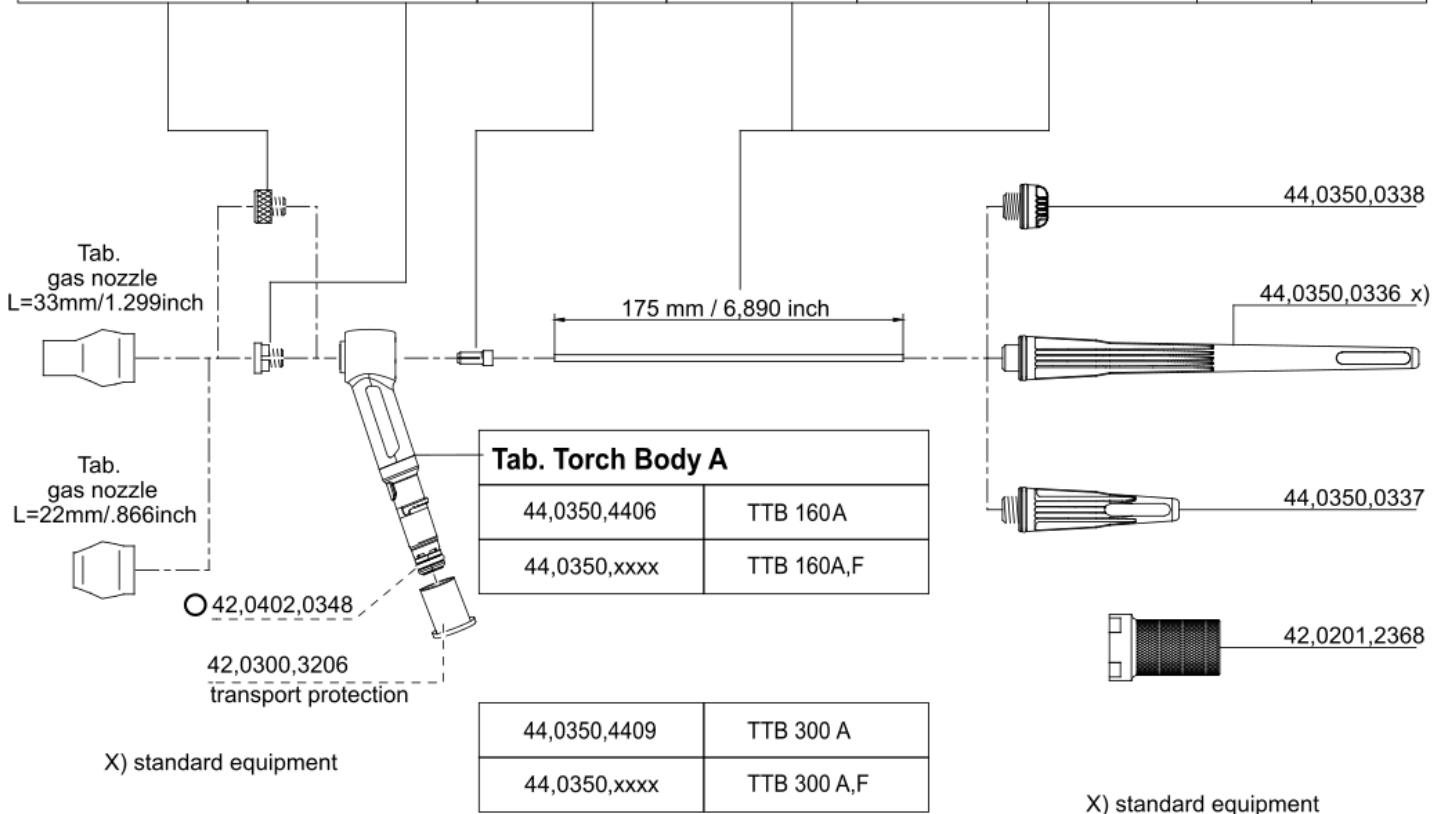
TTB 300A W ML /70°/L65

44,0350,4411

TTB 300A W ML/70°/L65 (44,0350,4411)

A-System

Part No. gas lens	Part No. clamping nut	Part No. collet	Part No. electrode WC20	Part No. electrode WP	Part No. electrode WS2	Electrode Ø	
						Ø mm	Ø inch
44,0350,1500	42,0001,0692	42,0001,1148	42,0411,4012			1,0	.039
44,0350,1501	42,0001,0693	42,0001,1149	42,0411,4001	42,0411,4008	42,0411,0161	1,6	.063
44,0350,1460	42,0001,0694 x)	42,0001,1150 x)	42,0411,4002 x)	42,0411,4005	42,0411,0162	2,4	.094
44,0350,1461	42,0001,0695	42,0001,1151	42,0411,4003	42,0411,4006	42,0411,0163	3,2	.126



gas nozzle ceramic plugable L=33mm/1.299inch	Part No.	gas nozzle ceramic plugable L=22mm/.866inch	Part No.	d1		d2	
				mm	inch	mm	inch
	42,0300,0820		42,0300,0816	6,35	.250	20,8	.819
	42,0300,0821		42,0300,0817	8,0	.315	20,8	.819
	42,0300,0822 x)		42,0300,0818	9,5	.374	20,8	.819
	42,0300,0823		42,0300,0819	11,1	.437	20,8	.819